

DESCRIPTION

AMC MODEL SWM-DJV-1DT-2ATT OPTION: 4M20, HS15NS IS A SINGLE POLE SINGLE THROW ABSORPTIVE/NON-REFLECTIVE SWITCH MODULE WITH VERY LOW VIDEO TRANSIENTS, ULTRA HIGH SPEED, HIGH ISOLATION AND WITH INTEGRAL TTL DRIVER DESIGNED FOR 4 MHz TO 20 GHz FREQUENCY RANGE.

SPECIFICATIONS

- FREQUENCY RANGE:..... 4 MHz TO 20 GHz
- INSERTION LOSS:..... 4.5 dB MAXIMUM
- ISOLATION:
 - 4 MHz TO 12 GHz:..... 60 dB MINIMUM
 - 12 TO 20 GHz:..... 70 dB MINIMUM
- VSWR (ON/OFF):..... 2.0:1
- RISE TIME:..... 1 nSec TYPICAL, 2 nSec MAXIMUM
- FALL TIME:..... 1 nSec TYPICAL, 2 nSec MAXIMUM
- DELAY ON:..... 12 nSec TYPICAL, 15 nSec MAXIMUM
- DELAY OFF:..... 12 nSec TYPICAL, 15 nSec MAXIMUM
- VIDEO TRANSIENT
 - 300 MHz BW (2-20 GHz):... 20 mV P-P
 - 20 MHz BW (2-20 GHz):... 4 mV P-P
 - 300 MHz BW (DC-18 GHz):... 150 mV P-P
 - 20 MHz BW (DC-18 GHz):... 50 mV P-P
- POWER INPUT:..... (CW)+20 dBm
- SURVIVAL POWER:..... 1 WATT CW, 10 WATTS PEAK 1 uSec
- CONTROL:..... TTL LOGIC "0" = ON
TTL LOGIC "1" = OFF
- POWER SUPPLY:..... -5V @ 25 mA MAXIMUM
- CONNECTORS:
 - RF:..... SMA FEMALE
 - CONTROL:..... SOLDER PIN
- SIZE:..... 1.00" (L) x 1.00" (W) x 0.50" (H)
- WEIGHT:..... 1.5 OUNCE TYPICAL

OPTIONS:

- 4M20:..... 4 MHz TO 20 GHz FREQUENCY RANGE
- HS15NS:..... HIGH SPEED OF 15 nSec DELAY TIME MAXIMUM

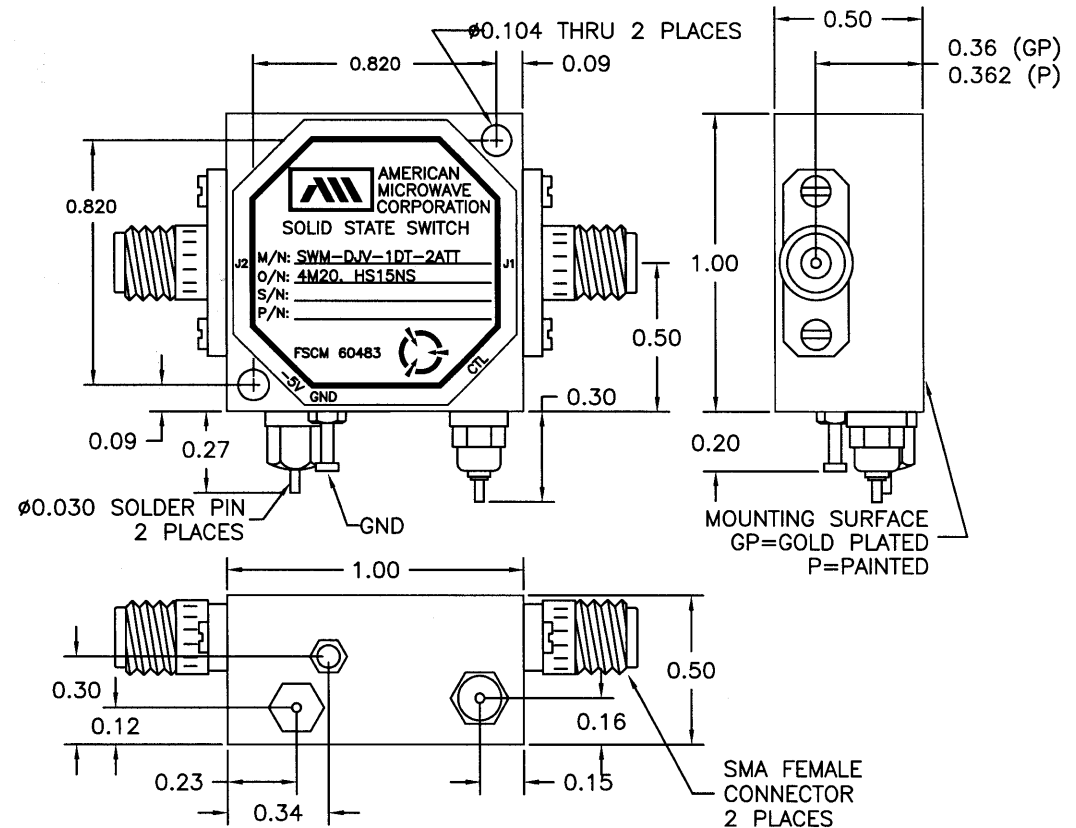
ENVIRONMENTAL RATINGS:

- TEMPERATURE:..... -55°C TO +85°C (OPERATING)
..... -65°C TO +125°C (STORAGE)
- HUMIDITY:..... MIL-STD-202F, METHOD 103B COND. B
- SHOCK:..... MIL-STD-202F, METHOD 213B COND. B
- VIBRATION:..... MIL-STD-202F, METHOD 204D COND. B
- ALTITUDE:..... MIL-STD-202F, METHOD 105C COND. B
- TEMPERATURE CYCLE:..... MIL-STD-202F, METHOD 107D COND. A

NOTE: SPECIFICATIONS WILL VARY OVER OPERATING TEMPERATURE
NOTE: THE ABOVE SPECIFICATIONS ARE SUBJECT TO CHANGE OR REVISION

ALL DIMENSIONS ARE IN INCHES
TOLERANCES:
X.XX ±0.020
X.XXX ±0.010

REVISIONS				
ZONE	REV.	DESCRIPTION	DATE	APPROVED
-	-	ORIGINAL RELEASE JOB# 503069	4/1/05	



AMERICAN MICROWAVE CORPORATION

7311-G GROVE ROAD
FREDERICK, MARYLAND 21704 USA
TEL: 301-662-4700 FAX: 301-662-4938
WEBSITE: www.americamicrowavecorp.com
E-MAIL: sales@americamicrowavecorp.com
ISO 9001:2000 CERTIFIED

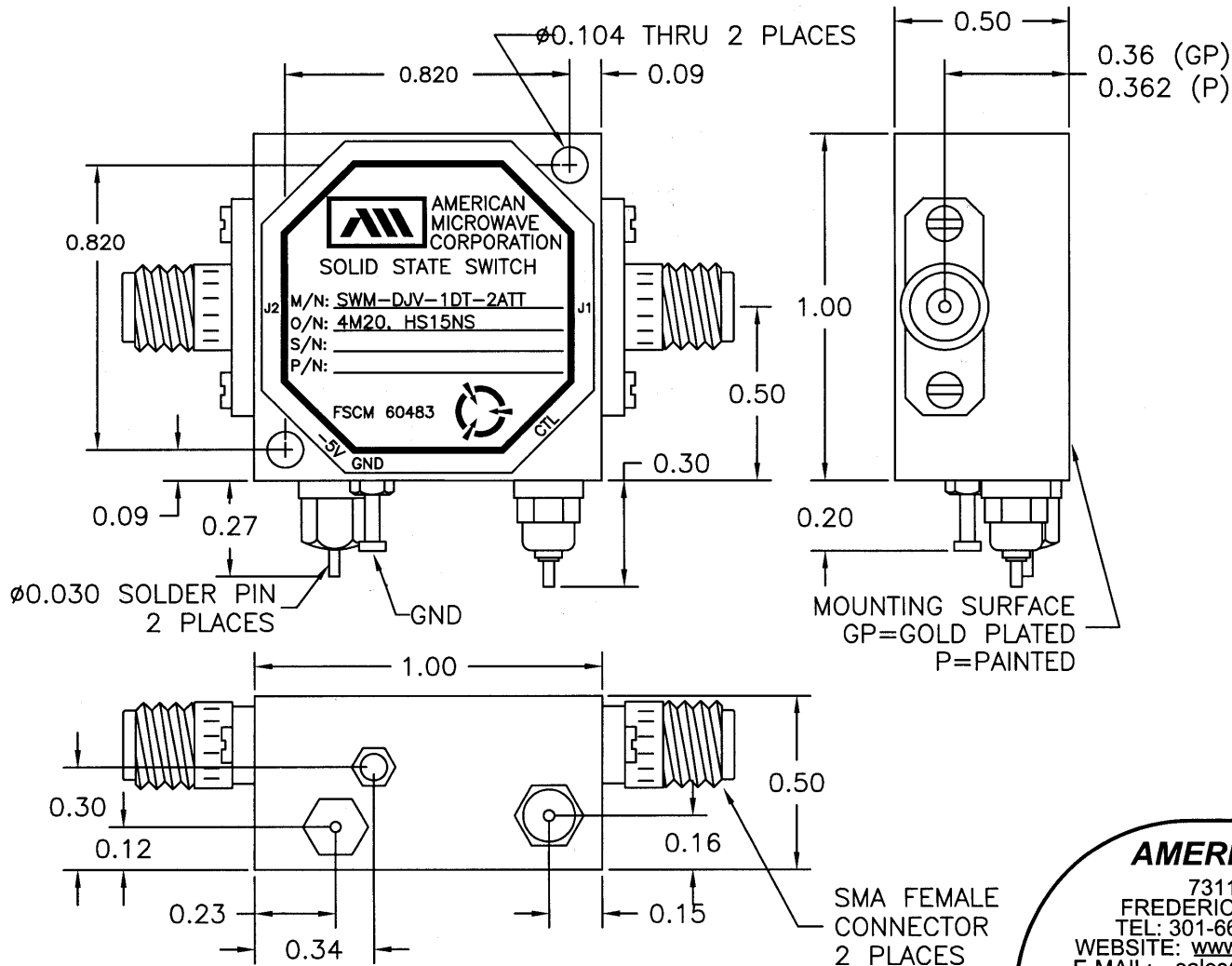


APPROVALS		DATE	TITLE		
DRAWN <i>gds</i>		4/1/05	PRODUCT FEATURE SWM-DJV-1DT-2ATT OPTION: 4M20, HS15NS		
CHECKED			SIZE	FSCM NO.	DWG NO.
ISSUED			A	60483	100-7400
SCALE N:S			SHEET 1 OF 3		

DESCRIPTION

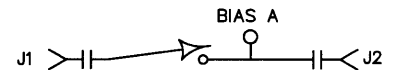
AMC MODEL SWM-DJV-1DT-2ATT OPTION: 4M20, HS15NS IS A SINGLE POLE SINGLE THROW ABSORPTIVE/NON-REFLECTIVE SWITCH MODULE WITH VERY LOW VIDEO TRANSIENTS, ULTRA HIGH SPEED, HIGH ISOLATION AND WITH INTEGRAL TTL DRIVER DESIGNED FOR 4 MHz TO 20 GHz FREQUENCY RANGE.

REVISIONS				
ZONE	REV.	DESCRIPTION	DATE	APPROVED
-	-	ORIGINAL RELEASE JOB# 503069	4/1/05	



MECHANICAL OUTLINE

BLOCK DIAGRAM



AMERICAN MICROWAVE CORPORATION

7311-G GROVE ROAD
 FREDERICK, MARYLAND 21704 USA
 TEL: 301-662-4700 FAX: 301-662-4938
 WEBSITE: www.americanmicrowavecorp.com
 E-MAIL: sales@americanmicrowavecorp.com
 ISO 9001:2000 CERTIFIED



ALL DIMENSIONS ARE IN INCHES
 TOLERANCES:
 X.XX ±0.020
 X.XXX ±0.010

APPROVALS		DATE	TITLE			
DRAWN <i>gdj</i>		4/1/05	MECHANICAL OUTLINE SWM-DJV-1DT-2ATT OPTION: 4M20, HS15NS			
CHECKED			SIZE A	FSCM NO. 60483	DWG NO. 100-7400	REV. -
ISSUED			SCALE N:S		SHEET 2 OF 3	